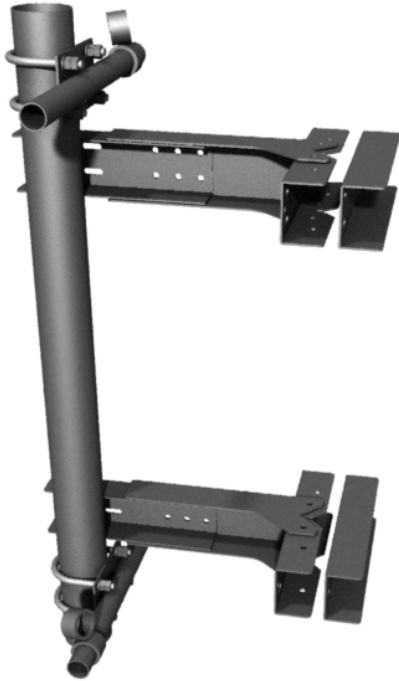


PRODUCT SPECIFICATION

PRODUCT NAME : BR-MW-01

CATEGORY : Brackets



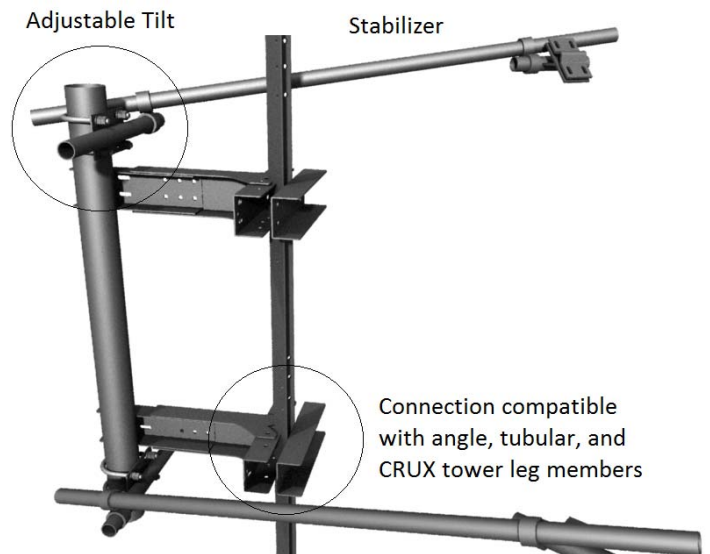
BR-MW-01 - MICROWAVE BRACKET

BR-MW-01 is a versatile, leg mounted, universal bracket designed for mounting microwave dishes. It uses a universal design to fit most angular and tubular lattice towers. It is easily packed and transported to site. The bracket makes use of friction grip to connect to the tower leg and reduces vibration through specially designed connections. The bracket uses stabilizing arms connected to structural elements for antenna stabilization and reduction of induced moments. Ease of assembly and universal connection are the main advantages of this bracket.

This Microwave bracket complies with international design standards (TIA222H / TIA 322) and can be re-certified to other standards if required.

Features

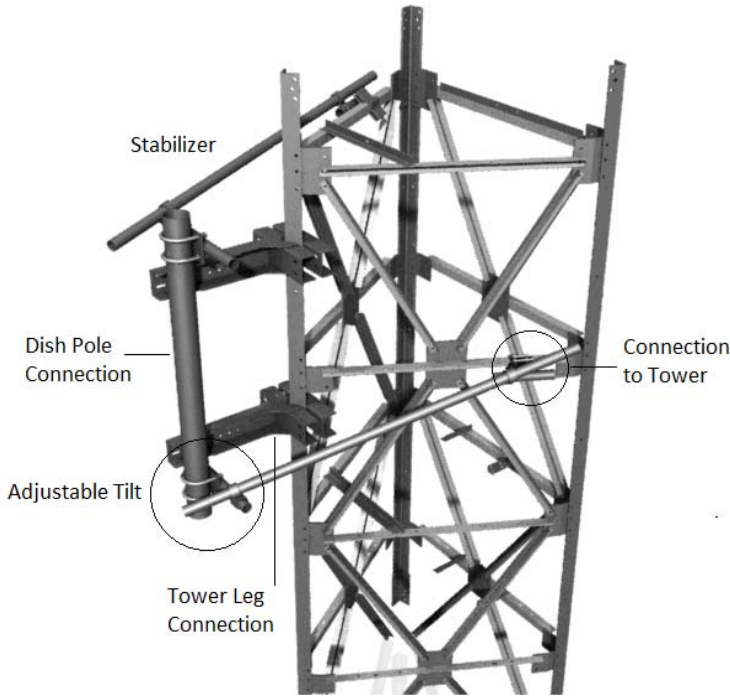
- Universal connection design
- Supporting panning arms
- Fully hot-dip galvanized
- S355 Steel
- TIA-222-H / TIA 322 standard
- Adaptable mounting
- Support for tubular & angular towers
- Options available for design adaptation to special wind & ice conditions



PRODUCT SPECIFICATION

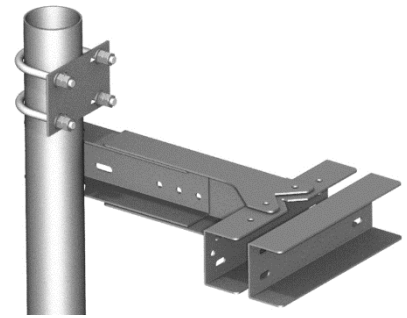
PRODUCT NAME : BR-MW-01

CATEGORY : Brackets



Applications

- Mounting Microwave Dishes 1.8 – 2.4 m



BR-MW-01 TECHNICAL SPECS (TIA222H)		
Tower Connection	Leg + Stabilizer	-
Antenna Support	x 1	-
Max Antenna Dish Weight (Total)	190	kg
Basic Design Wind Speed (TIA)	40 *	m/s
Material	S355 Steel	-
Bolt Grades	Gr 8.8	-
Max Topographic Height	250	m
Suitable Categories	Urban – Suburban – Open Terrain - (TIA Exposure B and C)	-
Compatible Connection Type	SAE - CHS - CRUX	-
Length (approximate)	1500 (Including the dish pole)	mm
Width (approximate)	400	mm
Depth (approximate)	800	mm
Design Standard	TIA-222H / TIA 322	

* Can be adjusted to medium and high wind speeds

