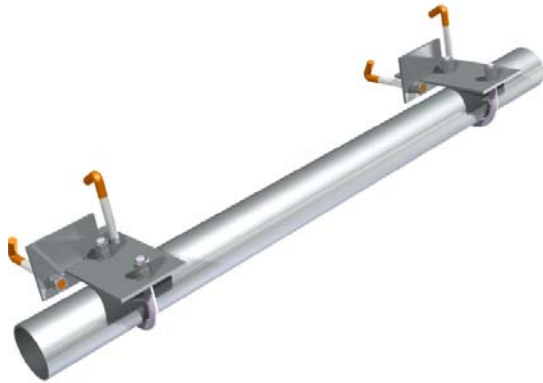


PRODUCT SPECIFICATION



BR-MW-X1 – MICROWAVE X-BRACKET

BR-MW-X1 is a bracket used for mounting dish poles to the tower legs. This X-shaped bracket takes advantage of an efficient design with a universal clamping mechanism.

This bracket complies with international design standards (TIA222H / TIA 322) and can be re-certified to other standards if required.

Features

- Fully hot-dip galvanized
- S355 Steel
- Universal design
- Efficient & effective
- TIA-222-H / TIA 322 standard
- Available in various sizes
- Suitable for tubular and angular sections
- Options available for design adaptation to special wind & ice conditions

Applications

- Mounting microwave dish poles

