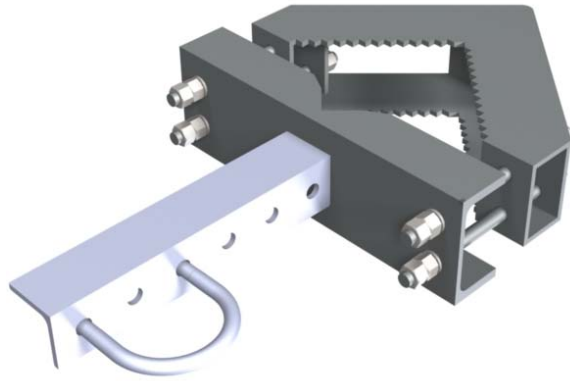


PRODUCT SPECIFICATION



BR-UNV-01 – UNIVERSAL BRACKET

BR-UNV-01 is a universal bracket used for pole attachment to tubular and angle tower legs. This bracket takes advantage of a universal gripping mechanism.

This bracket complies with international design standards (TIA222H / TIA 322) and can be re-certified to other standards if required.

Features

- Fully hot-dip galvanized
- S355 Steel
- TIA-222-H / TIA 322 standard
- Available in various sizes
- Suitable for tubular & angular sections
- Options available for design adaptation to special wind & ice conditions



Applications

- Attaching poles to angle and pipe sections

